

SPX Azimuth Antenna Rotor **Model SPX-362**



SPX-362 and PLATE-03 & 04
(Plate-03 & 04 is accessory)



Rot1Prog Controller

SPX-362 Azimuth Rotator is a **Medium Duty**, low weight, low cost solution to Rotate in Azimuth your Antenna, small Dish, Astronomy Telescope, Camera, Light Box and many more which must be rotate.

Supplied controller comes with build in Track interface (USB), lot of tracking program available and easy to install on your Lap-Top or PC and connect the Controller through USB.

But if you prefer you can operate manual by pressing the buttons on the front of the panel or supplied mouse, Resolution is 1 degree / step and displayed on the front LED display.

SPX-362 Rotator standard supplied including:

- ✓ Flat mount top plate
- ✓ Flat mount bottom plate
- ✓ Controller incl. build in track interface (USB)
- ✓ Special mouse to control Azimuth rotation
- ✓ USB Cable
- ✓ Connectors
- ✓ CD-Rom
- ✓ Quick start guide



SPX-362 Standard Delivery

Specifications:	SPX-362
Turning torque	80 Nm
Brake Torque	320 Nm
Brake Construction	Double Worm Gears
Maximal Vertical Load	50 Kg
Rotation Speed (360 Deg)	+/- 50 sec / 15 Volts DC
Resolution	1 deg
Rotation Range Azimuth	360 deg
Weight Mass Kg	6,7 Kg
Position Sensor	Reed Switch
Mast size Bottom mount	Depends on Accesories
Mast size Elevation mount	Depends on Accesories
Control cable core standard version	4 Core 1.5mm2 unshielded
Environment	Ground / Mobile free air and / or Sheltered
MTBF	12500 hours @ -20 to +55°C

Specifications Controller:	
Supply voltage	12.....18 Volts DC
Current consumption	3.....6A (Max current depends on load)
Supplied with	Digital controller, build in PC track interface (USB), software, mouse, PC-cable
Dimensions	220 x 120 x 35 mm
Weight:	1.0 Kg
Case	Aluminium / steel
Environment	Ground / Mobile Sheltered
MTBF	15000 hours @ -5 to +40°C
Display	2* 4 digit (green)
Control cable 8-core	Connection inc. 2* 4 pin-MC connector
Output	USB port for connection PC (Optional COM 9 – RS-232)

RF HAMDESIGN & SPX Controllers will support the following software:

- ✓ PST Rotor (Also /HR controllers MD-0X)
- ✓ MacDoppler (MacDoppler Ham Radio Satellite Tracking for Macintosh)
- ✓ N1MM Logger
- ✓ Ham Radio Deluxe
- ✓ Logic 7 Version => 7.0.45
- ✓ Orbiton Satellite Tracking
- ✓ Gpredict Satellite Tracking Linux and MAC
- ✓ SatPC32 Satellite Tracking - works on windows only
- ✓ DXLab (DX View)
- ✓ TRXmanager

Most software should also work if it supports Yaesu type rotators !

Note:

#1 Software may have new versions and some options may have changed

#2 We have not tested all this software !

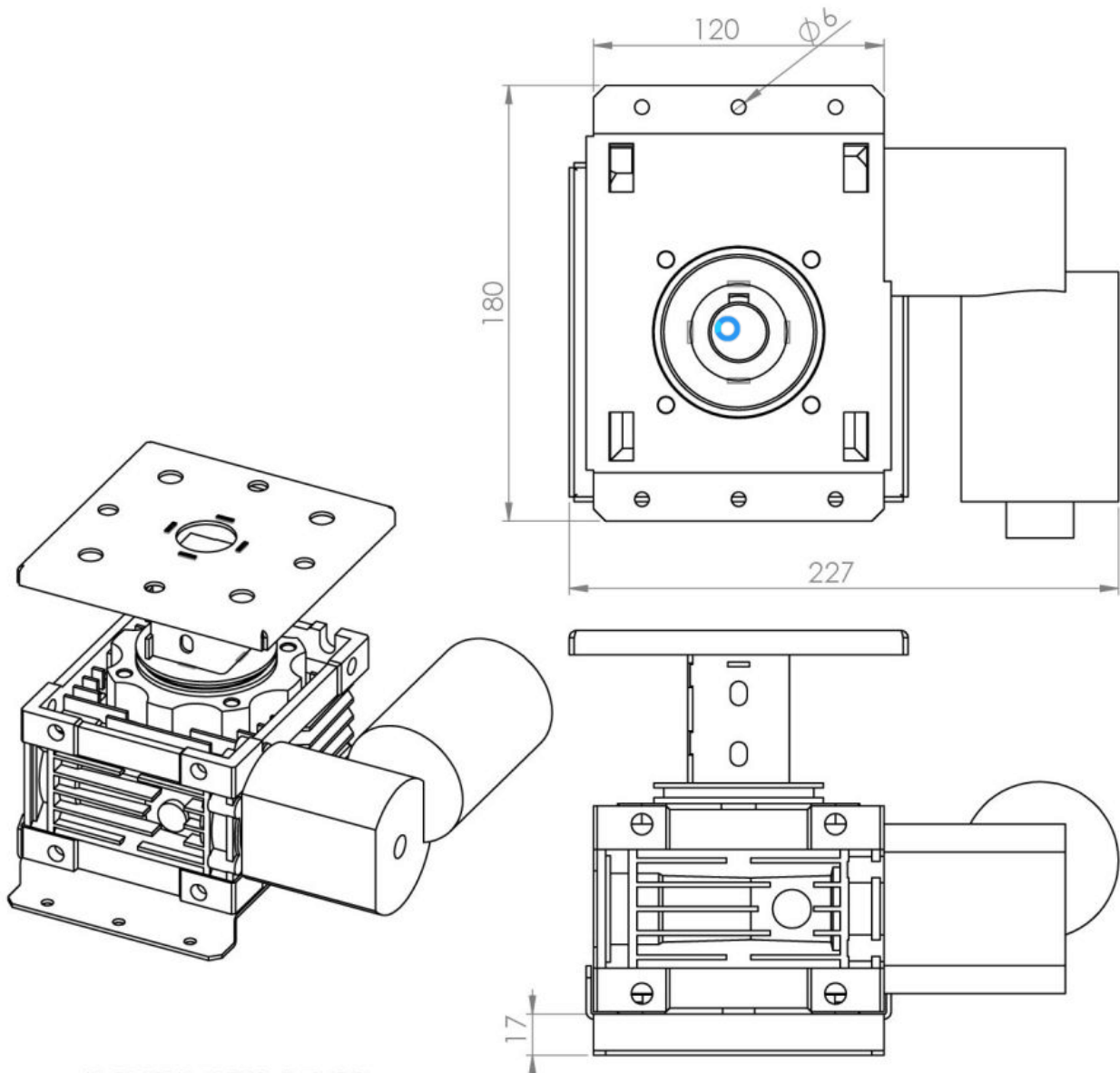
#3 Most software is for use with Rot2Prog (Dual-Ax rotor AZ&EL), but some also work with the single Ax rotor system Rot1Prog.

Available accessories

SPX Accessories	P/N Refer Pricelist	Model
<p style="text-align: center;">PLATE-03 Mast Pole Mount Base</p> <p>(Base mast outside diameter: 48 – 52mm) Weight: 1.6Kg</p>	PLATE-03	
<p style="text-align: center;">PLATE-04 Heavy Duty Mast Pole Mount Head Unit Or Mount Base</p> <p>(Mast outside diameter: 42 / 80mm) Weight: 2.7Kg</p>	PLATE-04	
<p style="text-align: center;">GS-065 Thrust Bearing for use with PLATE-03</p> <p>for mast diameters up to 65 mm Weight GS-065: 1Kg</p>	GS-065	  
<p>Control cable 4-core (4x1,5mm²)</p> <p>Available in: 25, 50, 75, 100 meter lengths</p>	CC4-001/25	
<p>Power supply, Desktop model Output: 9 – 15 Volts / 20 Amp DC (300W) Input: 110 – 230 Volts AC</p> <p>Dim: 155 x 70 x 205 mm (W x H x D) Weight: 1.5 Kg</p>	PSU-1228	
<p>Power supply, Enclosed model Output: 13,5 – 16,5 Volt / 10 Amp DC (150W) Input: 110 – 230 Volts AC</p> <p>Dim: 19 x 5 x 11 cm (W x H x D) Weight: 0.7 Kg</p>	PW-15015LC	

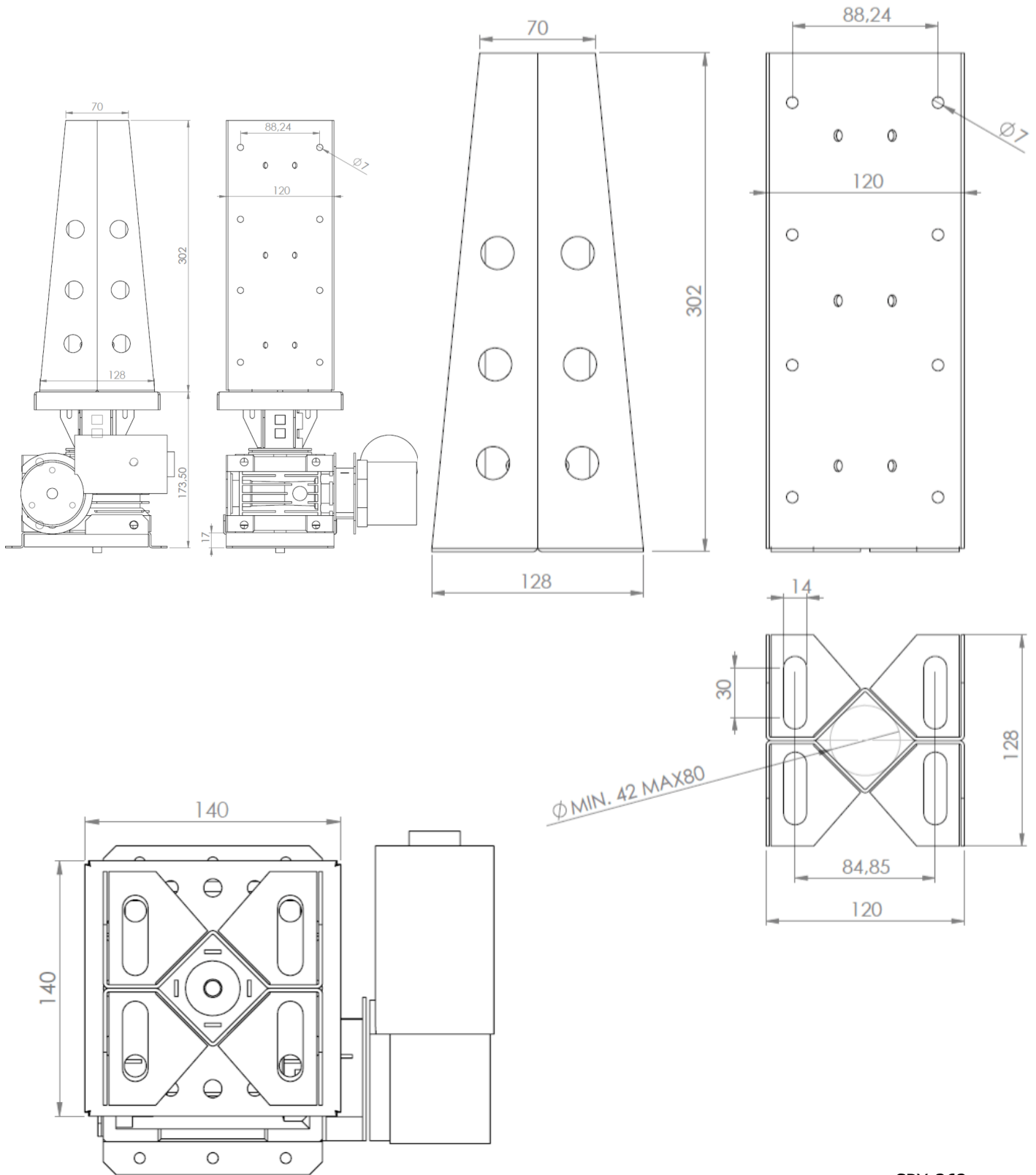
Note: Actual Prices can be found in our price list, download link at our web-site: www.rfhamdesign.com

SPX-362 Azimuth antenna rotator



SPX-362 PLATE-04

(Can be used as top mount and bottom mount)



SPX-362
Dimensions in mm

SPX-362 Top pole mounting options



SPX-362 standard configuration and additional PLATE-03

In this setup the standard supplied flat mounting plate is used to mount a horizontal pipe or antenna boom.
(Mounting Accessories to mount horizontal pipe are not supplied)



SPX-362 + PLATE-03 + PLATE-04

Optional BASE Plate mounting Bracket P/N: STR-00

This Bracket can be used to mount your antenna installation direct on the concrete or an heavy duty concrete slab by use of screws.

Max vertical pole length which can be placed depends on mounting antenna or object.

For example, 1 or 1.2 Meter dish, Max pole height 1.8Meter, Drawing example can be found on this page.

- Vertical Pole diameter mount: from 32 to max 75mm
- Weight: 5.6 Kg
- Supplied incl mounting clamp vertical pole (3 x)
- Supplied incl mounting hardware but without mounting screws concrete !
- Material: laser cutted, steel, painted black

