

**UA-01 / UA-02**  
**SPID and SPX-06 Rotor Bracket**  
to interface Rotor and Antenna  
Supplied included counter Weights arms



## **SPID Heavy Duty Rotor Bracket to Interface SPID Rotor and Antenna or other device.**

This Clamp is supplied including counterweight arms.  
Counter weights (exercise weights) and center pipe as on the pictures are not included delivery.

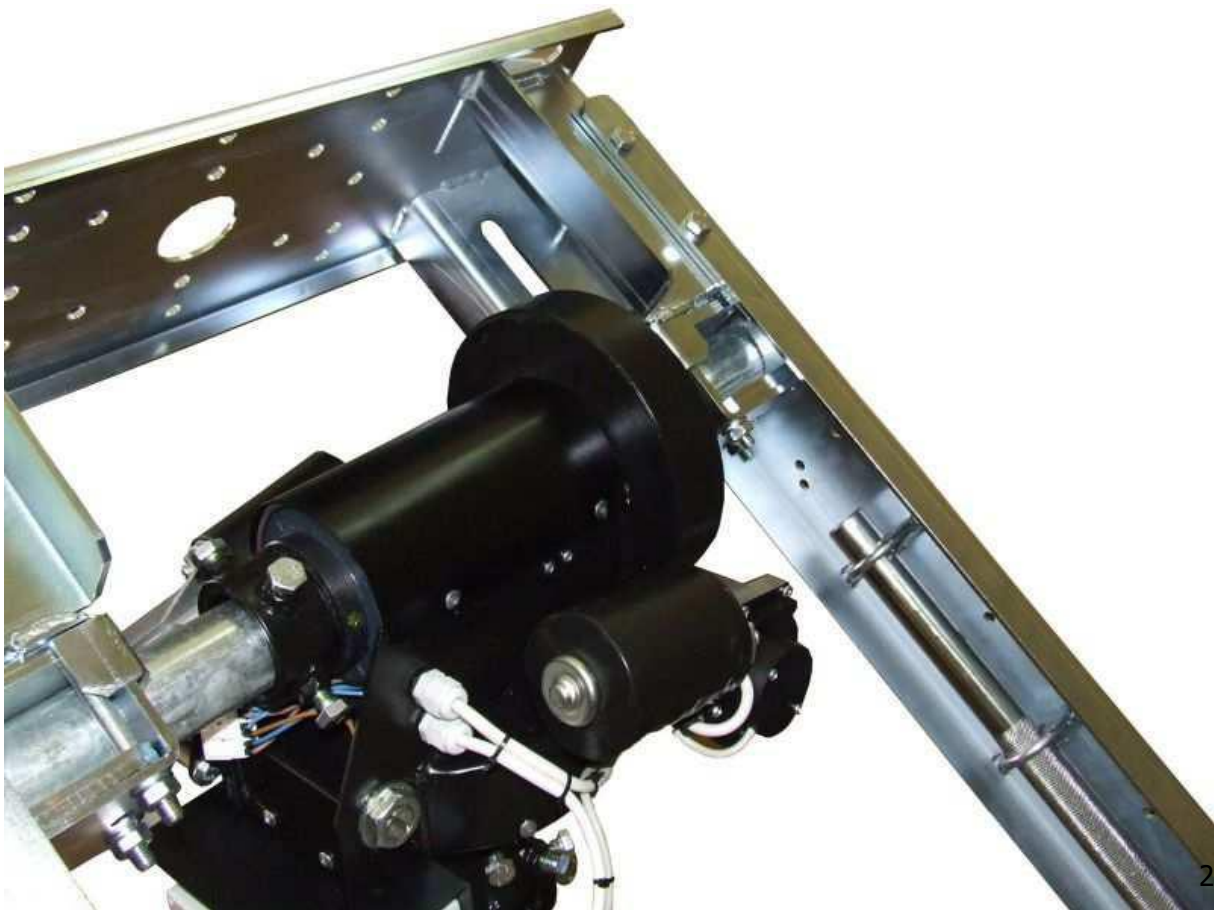
**Counter weights which can be used**  
(for example: exercise weights)



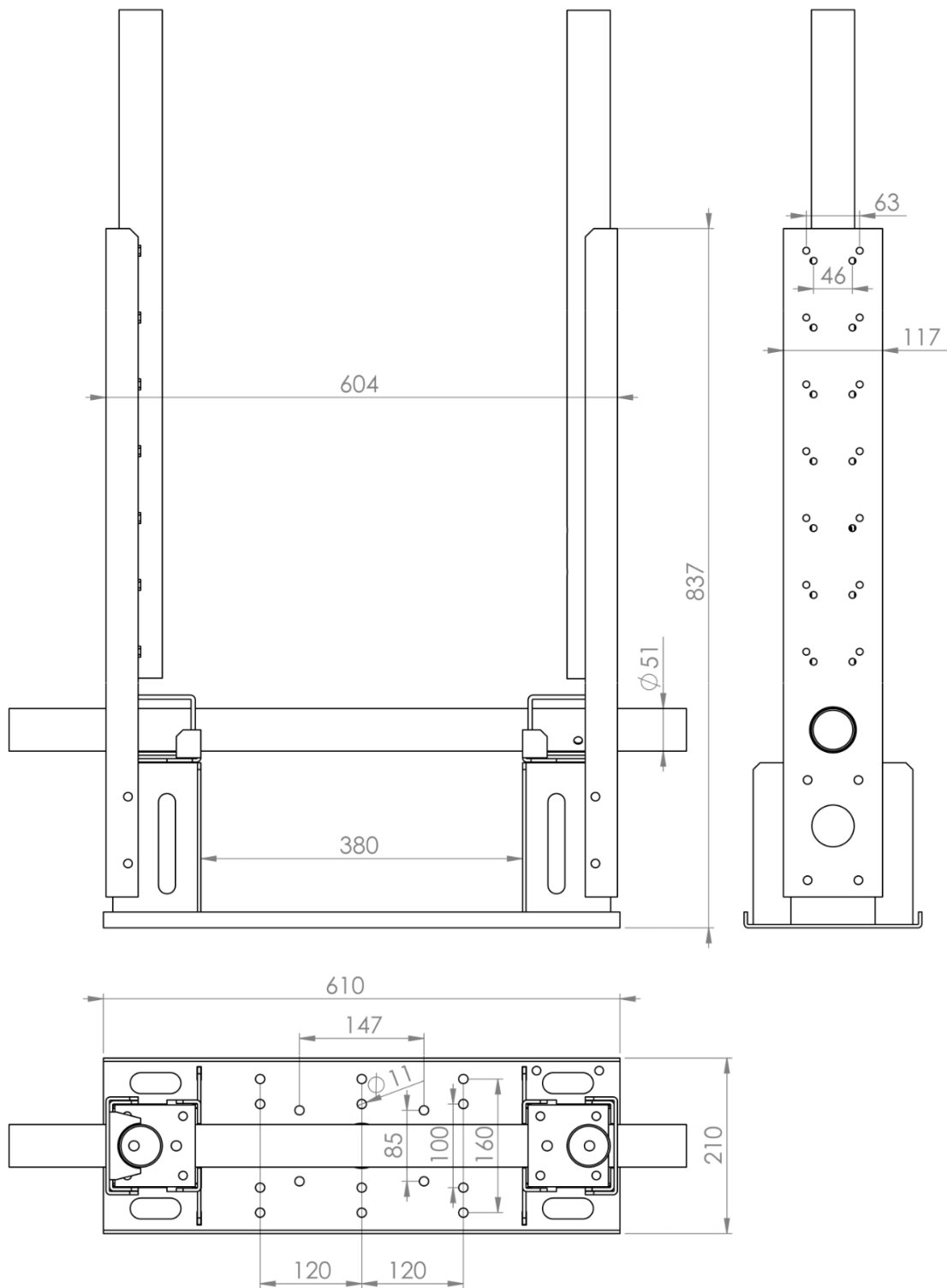
### **2 Models SPID rotor Bracket available:**

**UA-01:** Bracket used for SPID RAS model rotor (NON /HR) shipping weight: ~18Kg  
(Yaesu elevation rotor can be used as well)

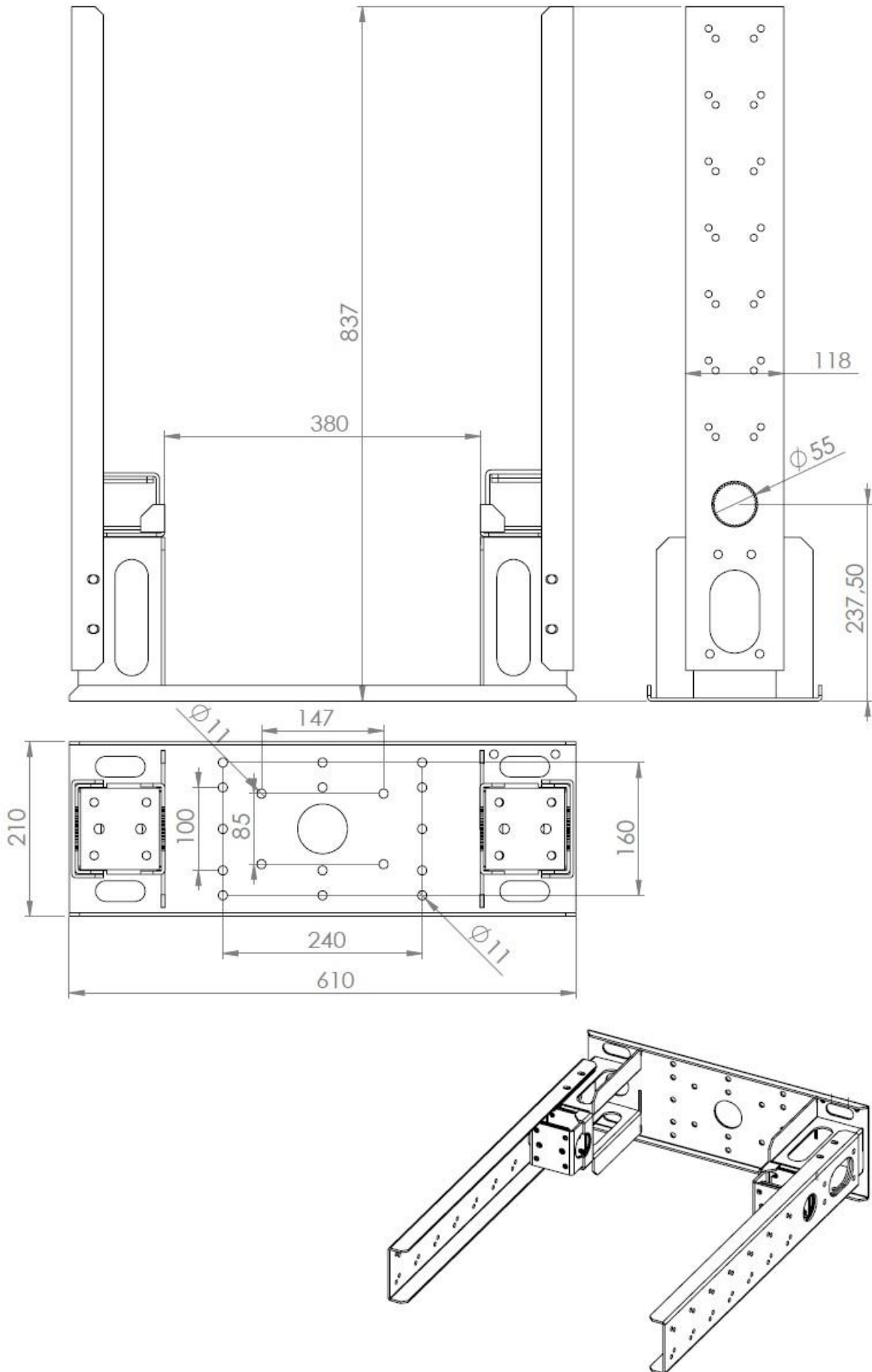
**UA-02:** Bracket used for all Dual axes SPID/HR and SPX-06 rotators, shipping weight: :36Kg  
Both model supplied incl. 2\* rod and nut to fix counter weights.  
(Weight and center pipe not included in delivery)



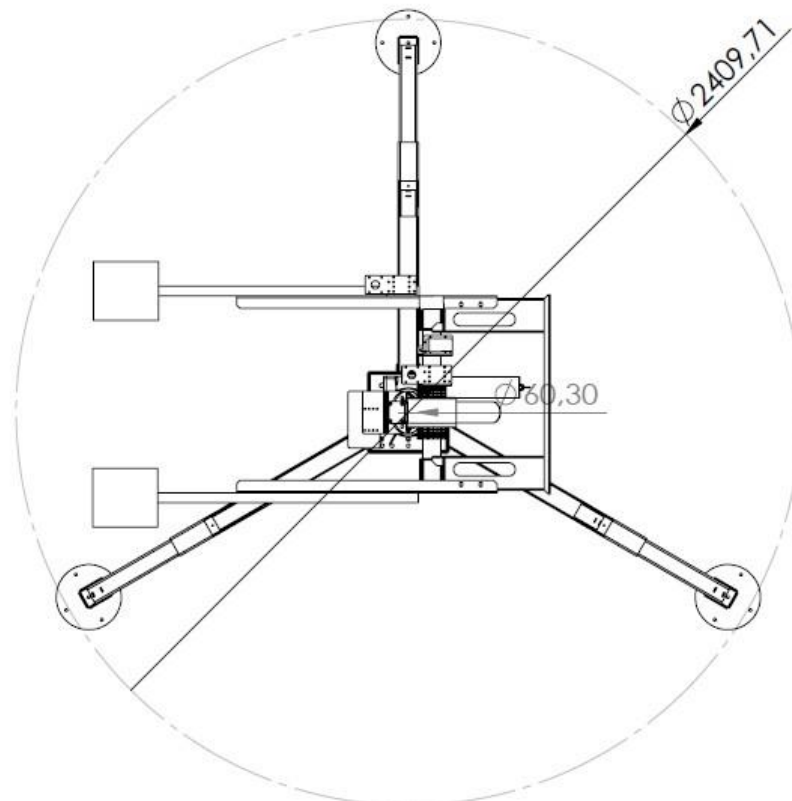
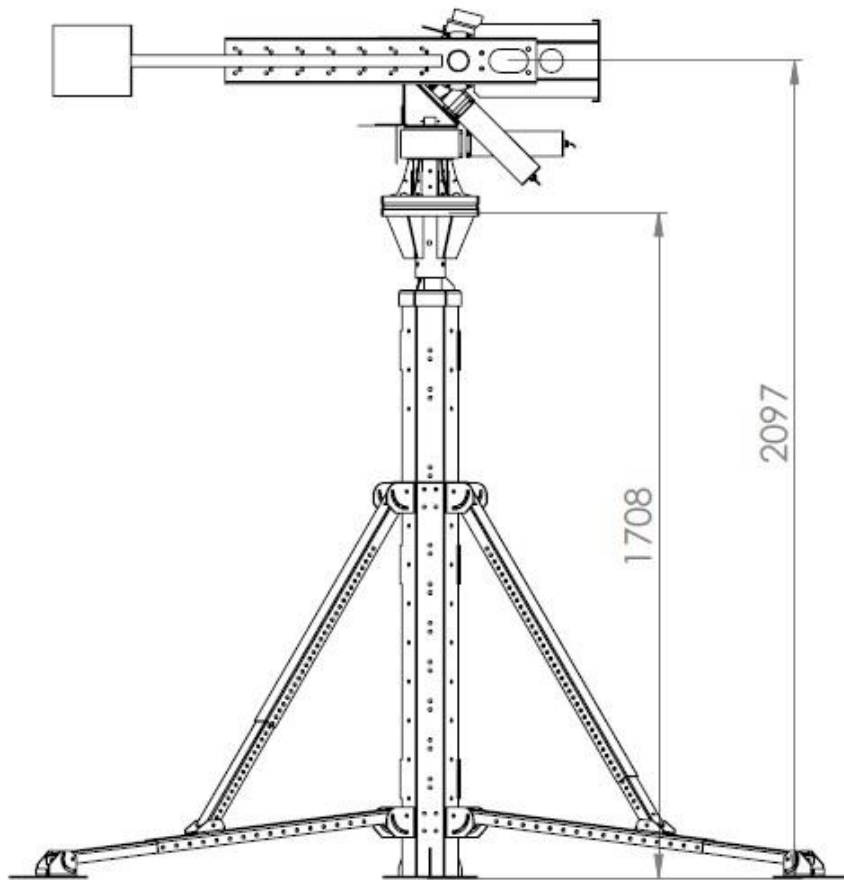
**UA-02: Bracket used for all Dual axes SPID/HR and SPX-06 rotators  
(dimensions in mm)**



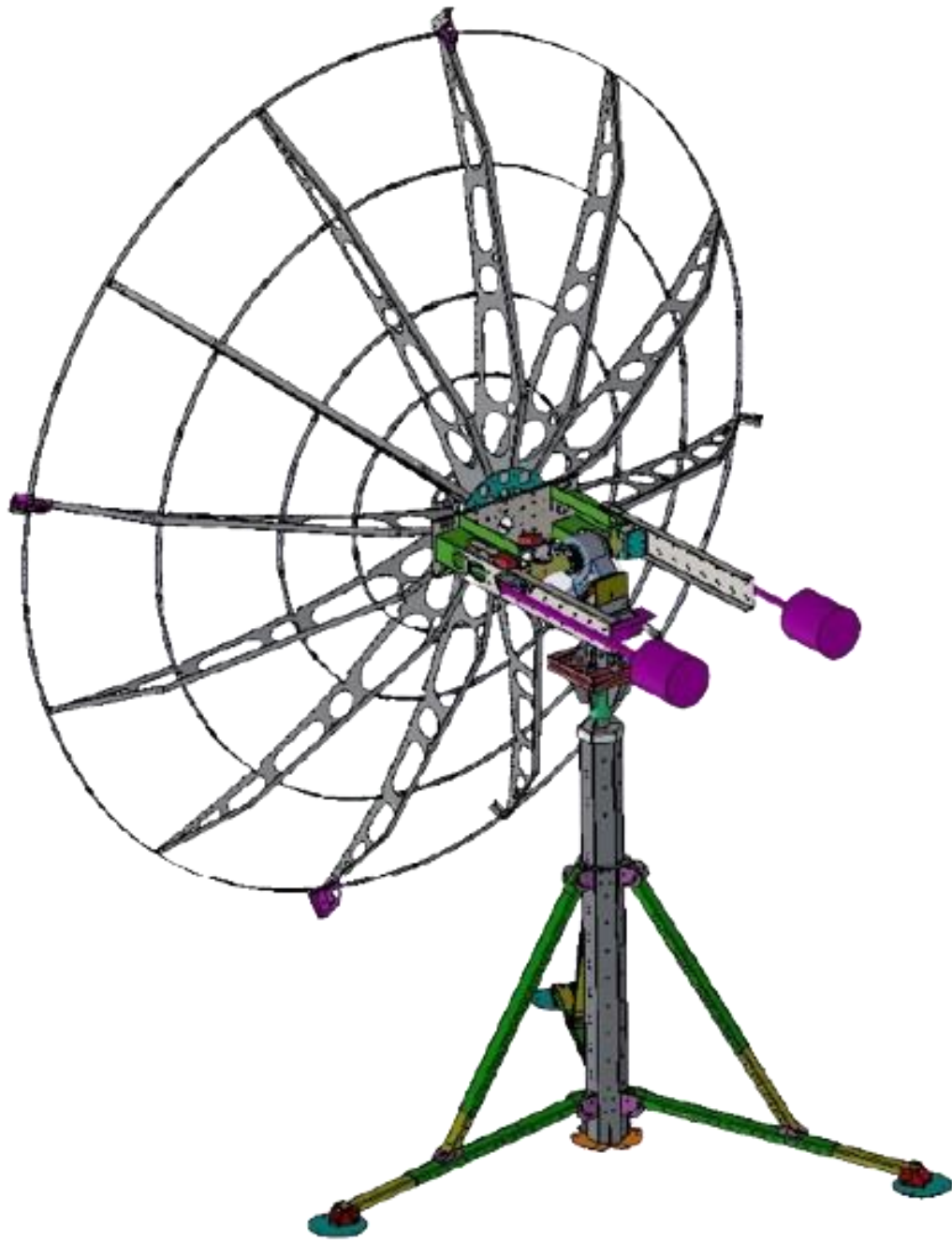
**UA-02: Bracket used for all Dual axes SPID/HR and SPX-06 rotators  
(dimensions in mm)**



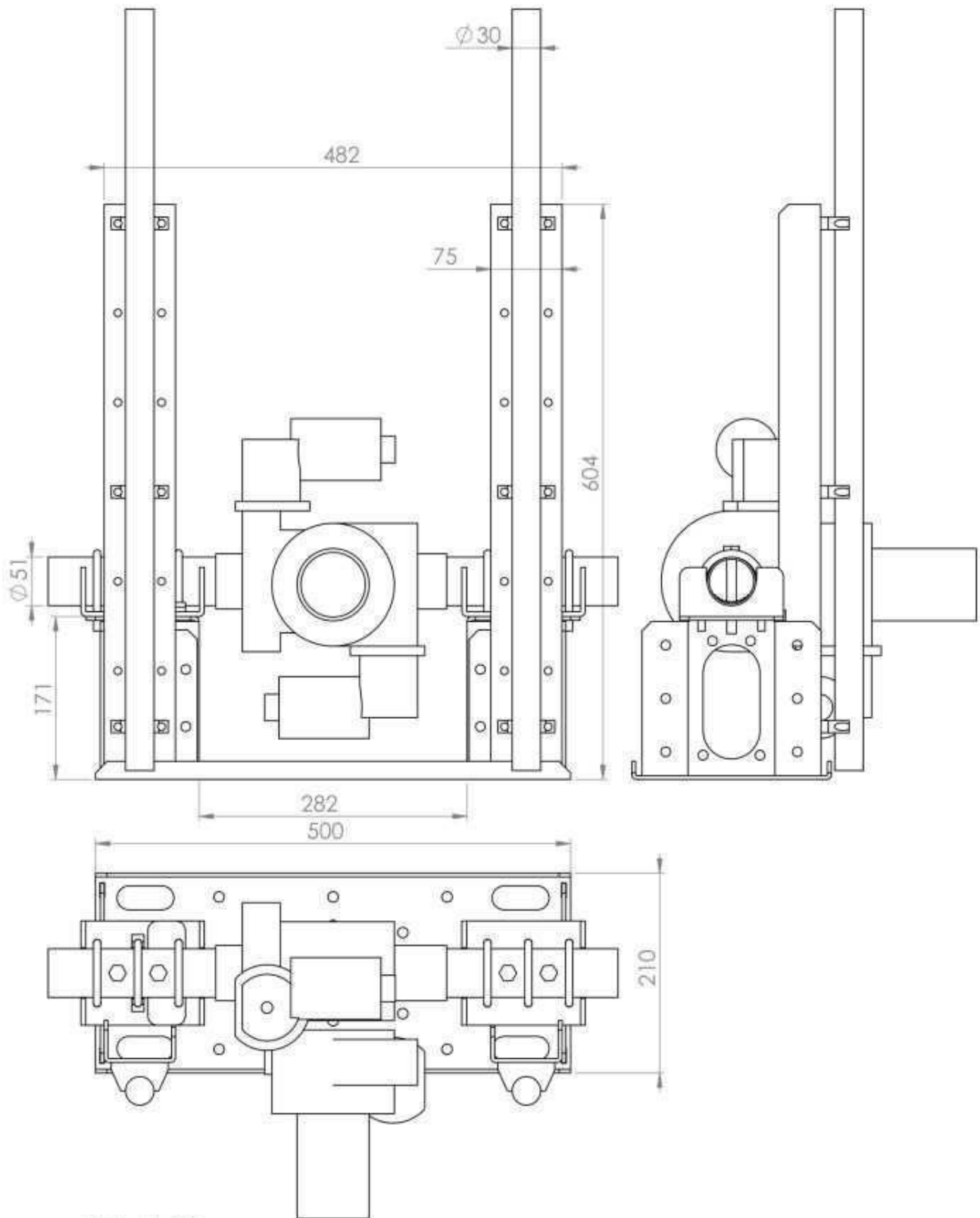
**UA-02: Bracket mounted on AZ&EL rotor system and Tri-Pod model STR-04  
(dimensions in mm)**



**UA-02: Bracket mounted on AZ&EL rotor system and Tri-Pod model STR-04 + 3Meter dish**



**UA-01: Bracket used for SPID RAS model rotor (NON /HR)  
(dimensions in mm)**



Weight 13kg  
AZ/EL-02M

**UA-01: Bracket used for SPID RAS model rotor (NON /HR)**

