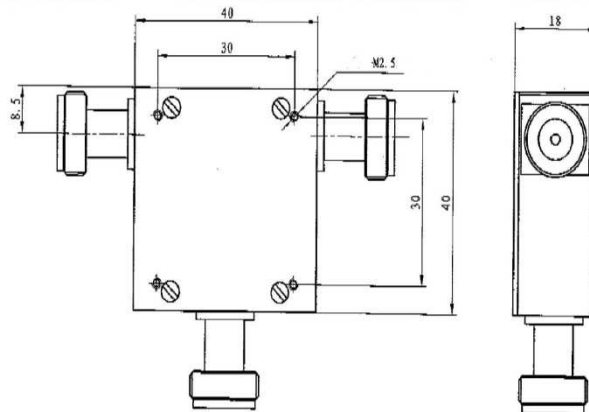




RF HAMDESIGN 1.25 – 1.3 GHz High Power Circulator

	Technical Performance	Parameter
✓	Frequency range	1.2 – 1.3 GHz
✓	RF Power	Average 500 Watts
✓	Insetion loss	< 0.3dB
✓	VSWR	< 1.15
✓	Isolation	> 23dB
✓	Connector	N-Female
✓	Temperature range	-20 + 40 Dgr C
✓	Weight	180 gram
✓	Dimensions (incl connectors)	82*61*20 mm
✓	Transmission direction P1→P2→P3	



Alle leveringen dienen te worden betaald binnen 30 dagen na factuurdatum. Voor alle door ons gesloten overeenkomsten, leveringen en diensten gelden onze algemene verkoop en leveringsvoorwaarden welke op www.rfhamdesign.com zijn vermeld.
All transactions, deliveries and services are subject to the terms and conditions of delivery which can be found at www.rfhamdesign.com

RF HAMDESIGN is ingeschreven in het handelsregister K.v.K. te Leeuwarden Nr: 01107005
RF HAMDESIGN is written in at the Chamber of Commerce in Leeuwarden, the Netherlands Nr: 01107005